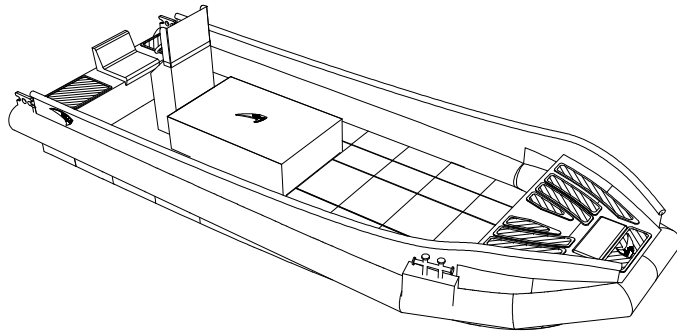
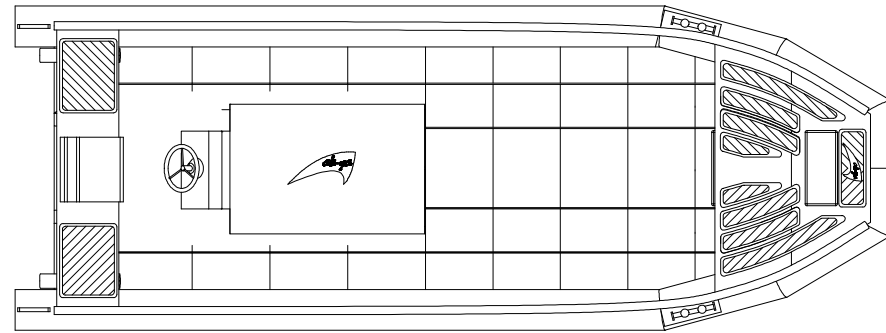


Water Line



Project owner **AK-YA DENİZCİLİK LTD.ŞTİ.**

Model **AK-YA WB 650**

Design **Bedri AKAGÜNDÜZ**

1/40 A4



Dimensions

Lenght	6,75 m	Capacity(personel)	2+1
Beam	2,5 m	Power	35 Hp
Water line	6,05 m	Propultion	In board
Draft	0,45 m	Weight	850 kg