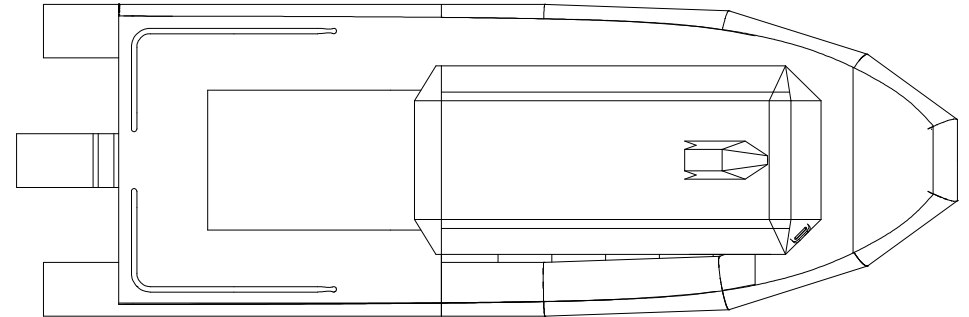
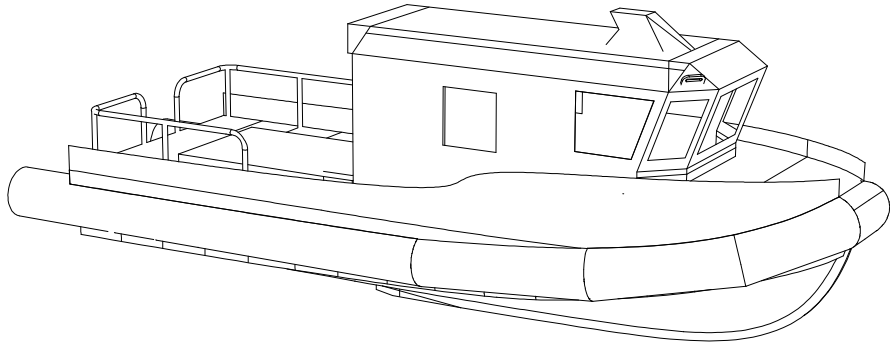


Water Line



Project owner AK-YA DENİZCİLİK LTD.ŞTİ.

Model AK-YA WB 850 Cİ

Design Bedri AKAGÜNDÜZ

1/40 A4



Dimensions

Lenght	8.5 m	Capacity(personel)	4+1
Beam	2.85 m	Power	370 hp
Water line	8 m	Propulsion (water jet)	In board
Draft	0.55 m	Weight	1500 kg