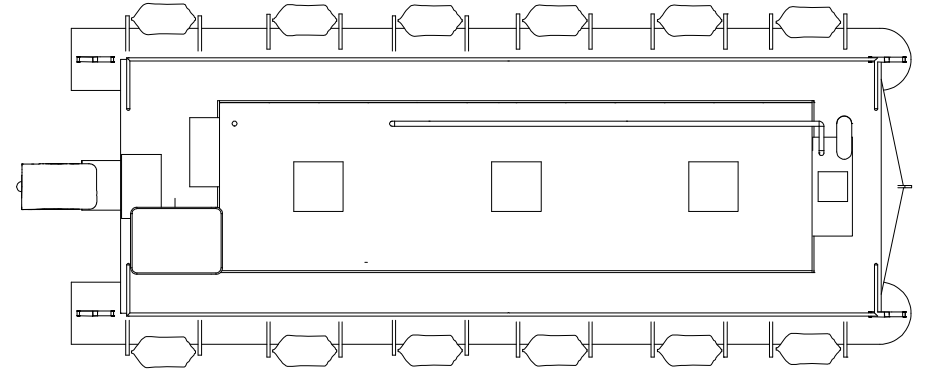
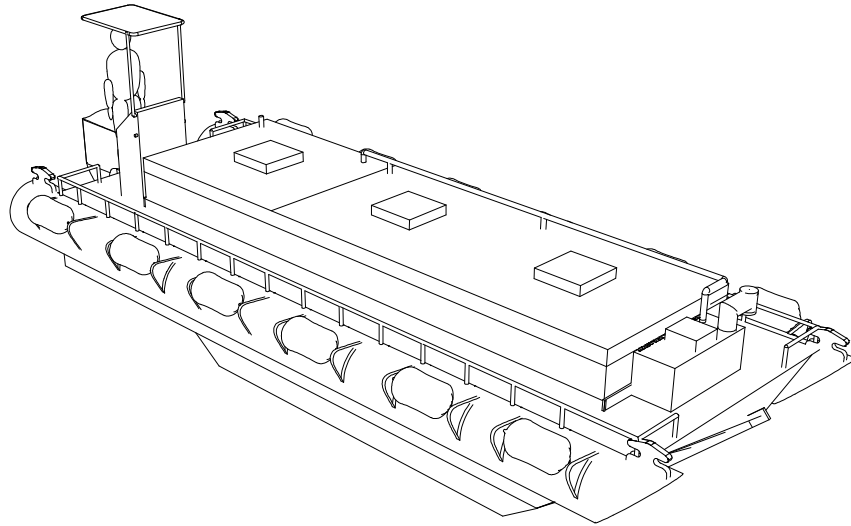


Water line



Project owner	AK-YA DENİZÇİLİK LTD.ŞTİ.		
Model	AK-YA POSEDONIA 850		
Design	Bedri AKAGÜNDÜZ		
		1/40 A4	
Dimensions			
Lenght	8.5 m	Max.load	10 ton
Beam	3.2 m	Power	25 hp
Water line	7.75 m	Propultion	out board
Draft	0.6 m	Weight	1850 kg

